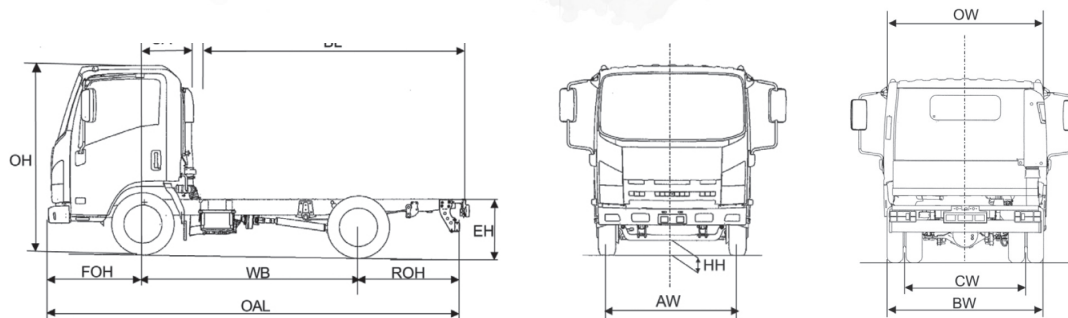




**specifications:**

# Isuzu 'Grafter' N35.125(TA) Automatic

3.5T GVW / EURO 6d (WLTP) 4x2 rigid twin rear wheels



Pictures shown are for illustration purposes only.

Axle weights (kg)			
UK maximum Vehicle Weights (kg)	GVW	3500	3500
	GTW*	6000	6000
UK Axle design weights (kg)	Front	2100	2100
	Rear	2435	2435

Weights (kg) PROVISIONAL			
Cab type		day	day
Wheelbase	WB	2500	3360
Vehicle Mass Unladen	Front	1310	1330
	Rear	600	625
<b>Total</b>		<b>1910</b>	<b>1955</b>
GVW		3500	3500
<b>Body &amp; Payload Allowance</b>		<b>1590</b>	<b>1545</b>
Max. Permissible Trailer Weight*		<b>2500</b>	<b>2500</b>

Dimensions (mm)			
Overall Length to chassis end	OAL	4735	6015
Overhang - Front	FOH	1100	1100
Overhang - Rear	ROH	1135	1555
Cab Gap	CB	130	130
C/L Front Axle to Rear of Cab	CA	463	463
Recommended Body Length	BL	3200	4500
Chassis Frame Width		700	700
Recommended Body Width		1945	1945
Recommended Maximum Body Width		2275**	2275**
Cab Width	OW	1770	1770
Overall Height (Unladen)	OH	2150	2160
Chassis Height (Unladen)	EH	725	725
Minimum Road Clearance	HH	180	180
Track - Front	AW	1395	1395
Track - Rear	CW	1425	1425
Rear Axle Width	BW	1860	1860

\*Tachograph regulations may apply  
 \*\*Wide mirror arms apply at extra cost

1. Unladen weights excludes driver, fuel and AdBlue®. Includes spare wheel + carrier (Tolerance +/- 3%). Spare wheel and carrier 38kg. 2. Body lengths are given as a guide only. Bodybuilders are responsible for ensuring all legal requirements are met. 3. Maximum body lengths are calculated to remain within the overhang ratio of 60% of the wheel base. Cab gaps may vary. 4. Isuzu Truck (UK) Ltd. shall have no liability whatsoever should the information supplied have incorrect data, descriptions or illustrations.

# N35.125(TA) Automatic 6d (WLTP) Mechanical Specification

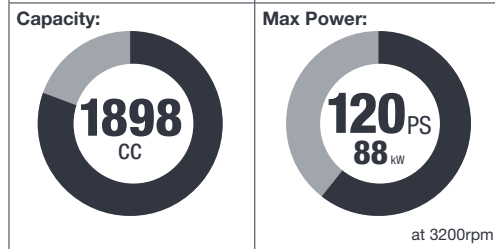
EURO 6d

(standard equipment)

## POWER & TORQUE CHASSIS DETAILS

<b>Engine</b>	
<b>Make &amp; model:</b>	RZ4E Isuzu turbo intercooled DOHC 4 cylinder diesel. Lean NOx trap. DPD & SCR.

<b>Bore x stroke:</b>	80 x 94.4mm
-----------------------	-------------

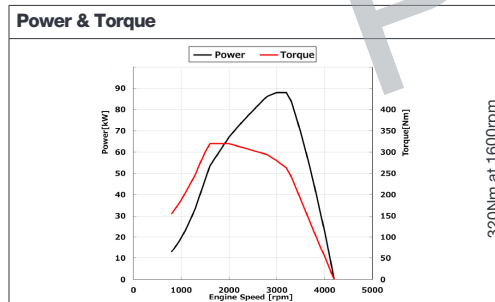


<b>Transmission</b>	
<b>Make &amp; model:</b>	Aisin AWR6B45, 6 speed fully automatic with sequential shift. (No PTO facility available.)

<b>Ratios:</b>	1st - 3.600; 2nd - 2.090; 3rd - 1.488; 4th - 1.000; 5th - 0.687; 6th - 0.580; Reverse - 3.732
----------------	---

<b>Rear Axle Ratio:</b>	5.375:1
-------------------------	---------

<b>Clutch</b>	
<b>Type:</b>	Torque converter with lock up clutch.



<b>Electrical</b>	
<b>Type:</b>	1 x 12V 595CCA 65Ah battery with 12V/150A alternator.

<b>Tyres/Wheels</b>	
<b>Tyres:</b>	205/75 R16 radial.
<b>Wheels:</b>	5.50J x 16, 5-stud.
<b>Spare:</b>	1 x wheel and tyre.

<b>Frame</b>	
<b>Type:</b>	Parallel ladder type channel section straight side rails, riveted upper flange.

<b>Axes</b>	
<b>Front:</b>	Independent type.
<b>Rear:</b>	Banjo fully floating.

<b>Suspension</b>	
<b>Front:</b>	Double wishbone and transverse parallel leaf suspension with hydraulic shock absorbers.
<b>Rear:</b>	Semi-elliptical steel suspension with hydraulic shock absorbers.

<b>Brakes</b>	
<b>System:</b>	Vacuum servo assisted hydraulic dual line with ABS, EBD (electronic brake distribution), EVSC (electronic vehicle stability control), ASR (anti slip regulation).

<b>Front:</b>	293mm ventilated discs with asbestos free pads.
<b>Rear:</b>	275mm drums with asbestos free linings.
<b>Park:</b>	Mechanical drum brake rear of transmission.

<b>Fuel Tank</b>	
<b>Capacity:</b>	68 LITRES
<b>AdBlue®:</b>	10 LITRES

## CAB FEATURES

<b>Cab Exterior</b>	
<b>Type:</b>	Hexapod, white (standard) or metallic grey (option), all-steel.

<b>Features:</b>	Manual tilt to 45 deg. Tinted widescreen. Chrome radiator grille. Plastic resin non-slip entry steps. 90 deg. opening doors. Zinc galvanised frame structure. Steel reinforced composite front bumper with fog and daytime running lamps. Two halogen head lamps with indicators. Front mudguards with spray suppression. Keyless door entry and immobiliser. <b>Rear under run bar protection (R58.03)</b>
------------------	---

<b>Cab Interior</b>	
<b>Features:</b>	Flame-resistant interior trim. Vinyl floor matting. Pillar mounted entrance grab handles both sides. Driver & passenger SRS airbags.

<b>Seats (cloth)</b>	
<b>Features:</b>	Driver's fully adjustable suspension seat with head restraint. Dual passenger seat with folding back. Driver and outer passenger retractable diagonal seat belts with pre-tensioner. Centre seat lap belt. <b>Upholstery shade upgrade.</b>

<b>Vision</b>	
<b>Features:</b>	Large foldable mirrors. Interior rear view mirror on collapsible mounting. Driver and passenger sun visors. Deep cut side windows to reduce blind spots. Electric windows with driver control and lock.

<b>Steering</b>	
<b>Features:</b>	Rack and pinion with full integral hydraulic power assistance. Tilt and telescopic steering column.

<b>Instruments</b>	
<b>Features:</b>	Speedometer with odometer & trip. Rev counter. Fuel gauge. Engine coolant temperature. Multi-information display provides information on servicing, emissions and fuel economy. AdBlue® level. DPD operation. Calendar. Clock.

<b>Switches &amp; Electrical</b>	
<b>Features:</b>	Combination stalk incorporating headlamps, indicators, fog lamp, washers and wipers. <b>Auto lights.</b> Steering wheel horn. Headlamp levelling. Engine quick warm-up. Central locking. Cigarette lighter. DPD, EVSC and ASR control. Hazard warning lights. Kenwood DAB radio with Bluetooth (Sat Nav option available). Auto gear selector with sequential mode switches.

<b>Warning/Indicator Lamps</b>	
<b>Features:</b>	Battery charge. Oil pressure. Low fuel. Glow plug operation. High beam and indicators. Park brake warning. Fuel/water separator. Check engine. Engine over heat. EVSC. ABS. Front and rear fog lights. Seat belt warning and <b>reminder.</b> Brake fluid level. SRS air bag. Brake vacuum loss. Gear select indicator. Gearbox malfunction. <b>Cab tilt lock warning. Airbag pictogram.</b>

<b>Tool Kit</b>	
<b>Features:</b>	Jack with a small selection of hand tools.

## SAFETY & SECURITY

<b>R29 cab strength:</b>	Complies with ECE-R29 cab strength standard.
<b>Central locking:</b>	Central locking with remote keyless entry and immobiliser.
<b>Rear bumper:</b>	Aluminium rear under run bar.
<b>Seat belts:</b>	Red diagonal and lap belts.

## WARRANTY

All chassis cabs come with a 3 year unlimited mileage warranty and roadside assistance as standard. Terms and conditions apply.

Isuzu-backed Repair and Maintenance contracts available upon request.

For further information please contact your local dealer or phone us direct:

**01707 282930 | www.isuzutruck.co.uk**

