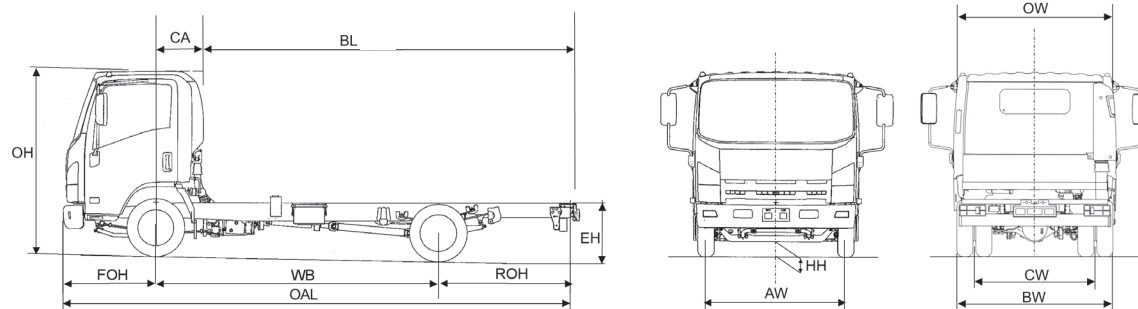
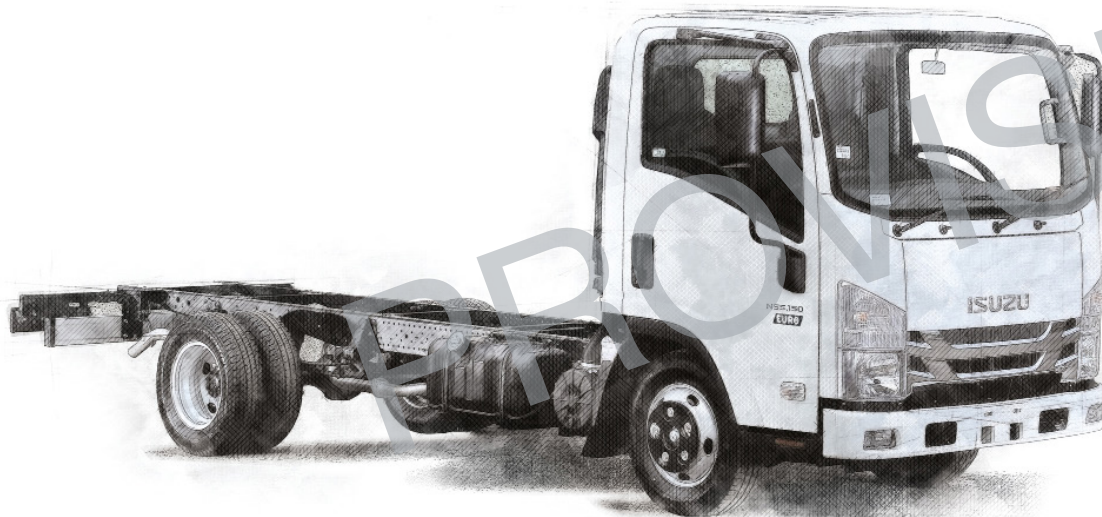




**specifications:**

# Isuzu 'Forward' N55.150(N)

5.5T GVW / EURO VI-E 4x2 rigid chassis with narrow cab



Axle weights (kg)		
<b>UK standard vehicle plated weights (kg)</b>	GVW	<b>5500</b>
	GTW (Standard)	<b>8250</b>
	GTW (Optional)	<b>9000</b>
<b>UK Axle design weights (kg)</b>	Front	<b>2100</b>
	Rear	<b>3980</b>

Weights (kg) PROVISIONAL		
Cab type		day
Wheelbase	WB	3350
Vehicle Mass Unladen	Front	1600
	Rear	772
<b>Total</b>		<b>2372</b>
GVW		5500
<b>Body &amp; Payload Allowance</b>		<b>3128</b>
Max. Permissible Trailer Weight		3500

Dimensions (mm) PROVISIONAL		
Overall Length	OAL	6005
Overhang - Front	FOH	1100
Overhang - Rear	ROH	1555
Cab Gap	CB	157
C/L Front Axle to Rear of Cab	CA	463
Recommended Body Length	BL	4267
Chassis Frame Width		700
Recommended Body Width		1945
Recommended Maximum Body Width		2275*
Cab Width	OW	1770
Overall Height (Unladen)	OH	2160
Chassis Height (Unladen)	EH	725
Minimum Road Clearance	HH	195
Track - Front	AW	1475
Track - Rear	CW	1425
Rear Axle Width	BW	1855

\*Wide mirror arms apply at extra cost.

1. Unladen weights excludes driver, fuel and AdBlue®. Includes spare wheel + carrier. (Tolerance +/- 3%). 2. Body lengths are given as a guide only. Bodybuilders are responsible for ensuring all legal requirements are met. 3. Maximum body lengths are calculated to remain within the overhang ratio of 60% of the wheel base. Cab gaps may vary. 4. Isuzu Truck (UK) Ltd. shall have no liability whatsoever should the information supplied have incorrect data, descriptions or illustrations.

