

# EURO 4 'FORWARD' F120.240 12.00T GVW

MANUAL TRANSMISSION 4X2 RIGID

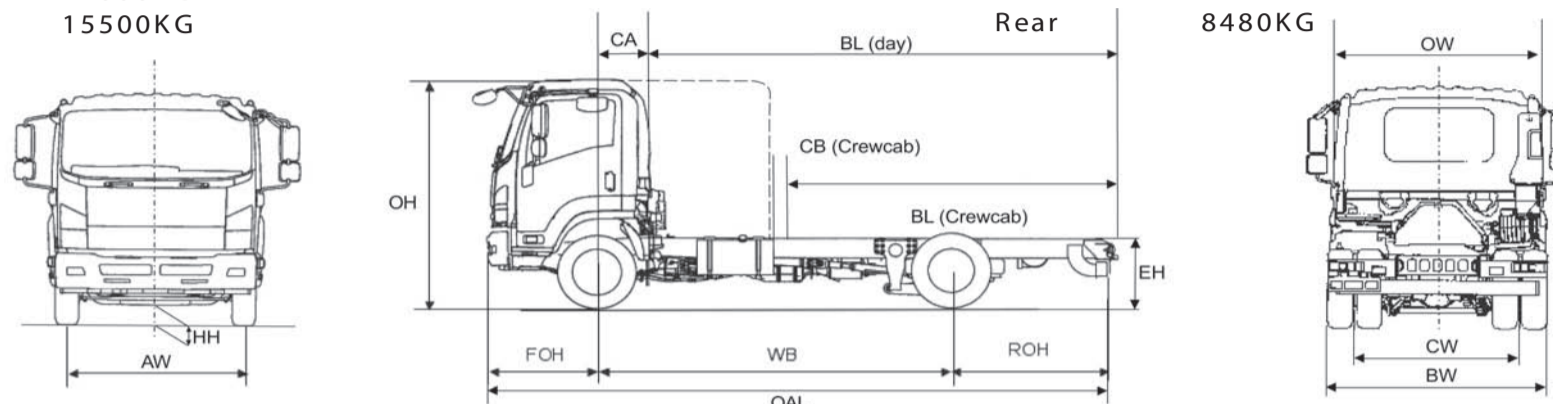
F120.240 12.00T

## STANDARD VEHICLE PLATED WEIGHTS

GVW 12000KG  
GTW 15500KG

## AXLE DESIGN WEIGHTS

Front 4480KG  
Rear 8480KG



## WEIGHTS (KG)

### CAB TYPE

### WHEELBASE

		day	day	day	crew cab
	WB	3790	4660	4990	5560
Vehicle Mass Unladen	Front	2495*	2520*	2560*	2990*
	Rear	1220	1285	1340	1530
Total		3715*	3805*	3900*	4520*
GVW		12000	12000	12000	12000
Max. Permissible Trailer Weight		3500	3500	3500	3500
Body & Payload Allowance		8285**	8195**	8100**	7480**

## DIMENSIONS (mm)

Overall Length	OAL	6555	7875	8325	9155
Overhang	Front FOH	1170	1170	1170	1170
	Rear ROH	1595	2045	2165	2425
Cab Gap	CB	150	150	150	150
C/L Front Axle to Rear of Cab	CA	556	556	556	1557
Recommended Body Length	BL	5078	6398	6848	6574
Chassis Frame Width		840	840	840	840
Recommended Body Width		2550	2550	2550	2550
Recommended Maximum Body Width		2600†	2600†	2600†	2600†
Cab Width	OW	2200	2200	2200	2200
Overall Height (Unladen)	OH	2585	2585	2585	2675
Chassis Height (Unladen)	EH	825	825	780	785
Minimum Road Clearance	HH	185	185	185	185
Track	Front AW	1805	1805	1805	1805
	Rear CW	1705	1705	1705	1705
Rear Axle Width	BW	2240	2240	2240	2240

\*Add 35kgs to this weight if gearbox requires a PTO to be fitted- see over \*\*Subtract 35kgs from this weight if gearbox requires a PTO to be fitted

F120.240/1108/GW/2K

†Max dimension for refrigerated bodies only

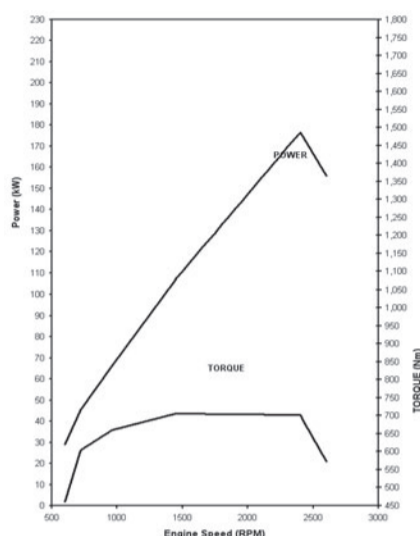
- Unladen weights exclude fuel, driver, spare wheel + carrier, tool kit and jack. (Tolerance +/- 3%).
- Body lengths are given as a guide only. Bodybuilders are responsible for ensuring all legal requirements are met.
- Maximum body lengths are calculated to remain within the maximum permitted overhang in the UK of 60% of the wheelbase. Cab gaps may vary.
- Isuzu Truck (UK) Ltd. shall have no liability whatsoever should the information supplied have incorrect data, descriptions or illustrations.

**ISUZU**  
BUILT AROUND U

# EURO 4 'FORWARD' FL20.240 12.00T GVW MANUAL TRANSMISSION 4X2 RIGID

Mechanical Specification (standard equipment)

FL20.240 12.00T



## Engine 6HK1TCN

- Isuzu turbo intercooled OHC 6 cylinder diesel (Euro 4)
- Bore: 115mm
- Stroke: 125mm
- Capacity: 7789cc
- Max Power: 176kW(240bhp) at 2400rpm
- Max Torque: 706Nm from 1450rpm
- Injection Type: Common rail
- Euro 4 Compliance: EGR (Exhaust Gas Recirculation) with DPD (Diesel Particulate Defuser)

## Fuel Tank

Capacity: 127 litres

## Transmission

- 6 speed Isuzu manual MZX (Non PTO compliant) or for PTO operation MLD6W\*
- Ratios:

	MZX	MLD6W
1st	6.615	6.120
2nd	4.095	4.244
3rd	2.358	2.580
4th	1.531	1.540
5th	1.000	1.000
6th	0.722	0.763
reverse	6.615	6.525
- Rear Axle Ratio: 4.333:1
- Tyres: 245/70R 19.5 radial, spare wheel and carrier
- Wheels: Steel 19.5 x 6.75, 8-stud

## Cab Exterior

- New aerodynamic Isuzu Hexapod design white steel cab
- Tilt to 45 deg.
- Keyless door entry and immobiliser
- Laminated windscreen

- Non-slip entry steps
- 90 deg. opening doors
- Zinc galvanised frame cab structure
- 2 halogen head lamp units
- Front mudguards with spray suppression
- All steel front bumper with fog lights
- Chrome radiator grille

## Frame

Parallel ladder type channel section, straight side rails with rivetless upper flange

## Cooling

Tube and fin type radiator with fan and viscous clutch

## Clutch

Air assisted, 356mm diameter

## Cab Interior

- Flame resistant interior trim
- Vinyl floor matting
- Dual long grab handles each side
- SRS airbags driver and passenger
- Header console storage
- Interior fluorescent lighting
- Multi information display

## Seats (all cloth)

- Driver's adjustable air-suspended seat with head restraint and 3-point seat belt with pre-tensioner
- Rigid centre seat with 2-point seatbelt
- Rigid passenger seat with head restraint and 3-point seat belt with pre-tensioner
- Crew cab-4 seat rear bench with 3-point seatbelts on outer seats, 2 point seatbelts inner seats

## Vision

- Large door mounted heated mirrors
- Front underview mirror
- Driver and passenger sun visors
- Deep cut side windows to reduce blind spots
- Electric windows with driver control and lock

## Heating & Ventilation

- 4 - Speed blower
- Multiple cab vents

## Axles

Front: Reverse Elliott I-Beam  
Rear: Banjo type, fully floating

## Suspension

Front: Multi-leaf steel springs  
Rear: Multi-leaf steel springs on 3780, 4650, Isuzu 4-bag air on 4980 + 5560 wheelbases

## Steering

- Recirculating ball type with full integral hydraulic power assistance
- Tilt and telescopic steering column

## Brakes

ABS air over hydraulic  
Front: Drum 370mm x 150mm  
Rear: Drum 370mm x 150mm  
Park: Rear Wheel  
Air dryer

## Instruments

- Rev counter
- Tachograph, digital Siemens VDO
- Speedometer with odometer and trip
- Gauges: Fuel level, coolant temperature and air pressure

## Switches & Electrical

- Electrical vehicle speed limiter set at 56 mph (90 kph) with automatic cruise control
- Steering column mounted switch for indicators, side lights, headlights, high beam, front and rear fog lamps
- Wiper and washer (2-speed and intermittent)
- Exhaust brake
- Brake warning buzzer
- Steering wheel horn switch
- Hazard lights
- Head lamp levelling

- Interior light
- key operation for quick cold start, start and stop
- Cigarette lighter
- Central locking
- Reverse warning buzzer in cab

- DPD engage
- Fast engine idle
- Heated mirrors switch

## Warning Lamps

- Battery charge
- Oil pressure
- check brake system
- Low fuel
- Glow plug operation
- High beam indicators
- Parking brake on
- Exhaust brake operation
- Fuel/water separator
- Check engine
- ABS warning
- Service warning
- DPD engaged/warning
- OBD
- Front and rear fog lights
- Air pressure warning

## Tool Kit

- Jack with a small selection of hand tools

## Radio

RDS radio with CD player

## Storage Space

- Centre seat back compartment
- Door pockets
- Twin overhead lockers
- Centre tray
- Dashboard pockets

## Ancillaries

Starter: 24 V x 5 kW

Alternator: 24 V - 90 Amp

Quick Start: 6 glow plugs on start relay

Battery: 2 x 12 V - 115 AH

\*This Gearbox adds 35kgs to overall vehicle weight- see front page

The following optional items are available:

- Chrome Wheel Trims • Isuzu Branded Mats • Aerodynamic Roof Spoiler • Headboards
- Satellite Navigation • Reversing Aids • PTO Switch (MLD6W Gearbox only)

For further information please contact your local agent, ring us directly on  
**01707 28 29 30** or visit our website [www.isuzutruck.co.uk](http://www.isuzutruck.co.uk)

ISUZU TRUCK (UK) LTD,  
ISUZU HOUSE,  
164 GREAT NORTH ROAD,  
HATFIELD,  
HERTFORDSHIRE AL9 5JN

**ISUZU**  
BUILT AROUND U